



SPECIALISTS IN CRYOGENIC EQUIPMENT



A doser made of HASTELLOY® C-22® or AL6XN alloy, designed to dose precisely according to line speed with PLC programming

All Dosers come with Cryogas's renowned customer service, from conceptual design to implementation, and are backed by a two year warranty.

SaltDoser®

This SaltDoser® family are primarily used to dose precise amount of salt solution or any fluid-based ingredient directly into product packaging. This innovative "mixing" method offer food & beverage manufacturers the flexibility to produce a variety of product in small batches compared to traditional large batch pre-mixing process. SaltDoser® effectively prevents the filler and piping system from unwanted corrosion when introducing salt solution or other ingredient. Therefore reduce costly and time-consuming post-production CIP cleaning, and effectively prevent product contamination. A PLC (Programmable Logic Controller) integrates the sensors, controls and human interface via a touch screen display. A sensor detects the speed of the line (encoder compatible for higher speeds), and a second sensor detects the container presence. When a container is detected, the dosing head actuated valve opens and dispenses the exact amount of fluid.

Typical Applications

- Flavor dosing for flavored drinks.
- Salt solution dosing for sport drinks.
- Preservative dosing to extend product shelf life.
- Any liquid based ingredient with low viscosity, e.g. probiotics, collagen and protein, can be dosed into product packaging.

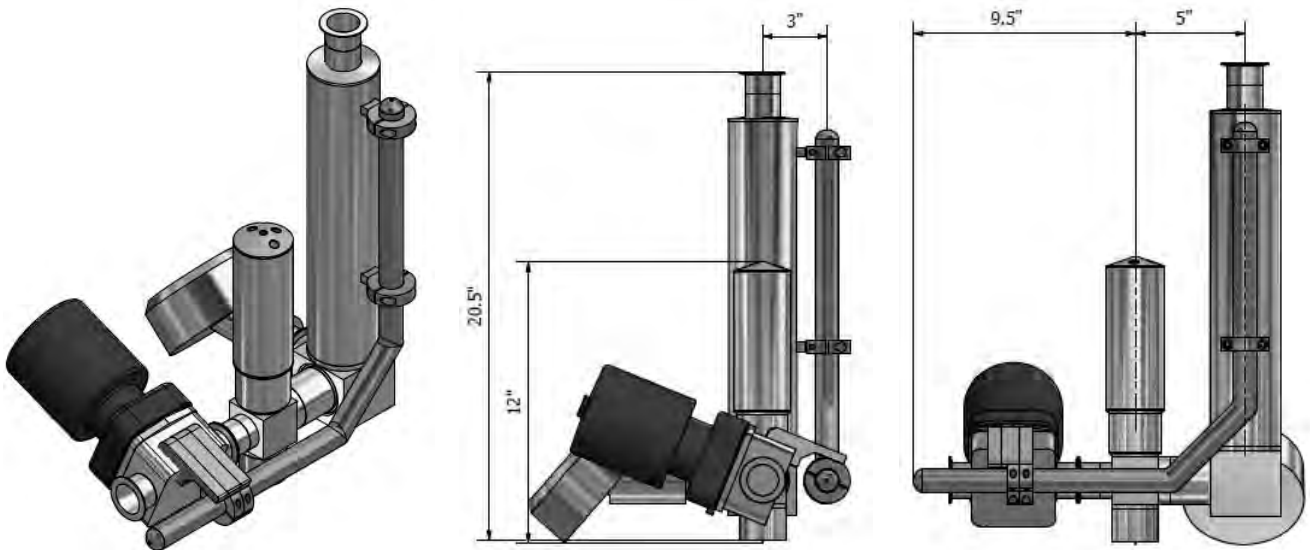
Features and Benefits

- Compact Size - enables installation in limited spaces.
- Precise Dosing - delivers consistent, accurate dosing.
- Discrete Dosing - up to 2000 containers per minute.
- Remote Dosing - monitor and troubleshoot system remotely thereby minimizing system downtime.
- CIP function - recipe based self-cleaning.
- Automatically transfers fluid to dosing head via pump if low fluids level in system are detected.

SaltDoser® Specifications

| | |
|-------------------------|-----------------------------------------|
| Materials | HASTELLOY® C-22® alloy |
| Nozzles | 2-5mm (0.5mm increments available) |
| Head Pressure | 0.2 psi |
| System Utilities | Electricity: 110-220 VAC; 50/60Hz, 110W |

SaltDoser® Dimensions



CRYOGAS TECH.
No 10, Jalan PPU3A, Puchong 47150 Selangor Malaysia
Phone: (603) 8051-0982 Fax: (603) 8051-0913
e-mail: info@cryogas.com.my