



SPECIALISTS IN CRYOGENIC EQUIPMENT

Phase Separator

Pressure Adjustable

Stainless steel, vacuum jacketed vessels designed to store LN₂ at user adjustable pressure and level.



All Phase Separators comes with Cryogas's renowned customer service, from conceptual design to implementation, and are backed by a one year warranty.

Phase Separator

A Cryogas Phase Separator is used in specialized applications requiring extremely high quality, low pressure liquid nitrogen on demand, where precise temperature control at the end use point are required. Cryogas's Phase Separator is a vacuum insulated reservoir holding tank for liquid nitrogen with a level sensor control system that operates a proportional inlet valve for level control. A one inch (1") vent line with pressure control modulating vent valve allows the Phase Separator to maintain user's required set pressure. StatiRigid, StatiFlex, or Dynaflex pipe is used to feed LN₂ into the Phase Separator. Specialty triaxial pipe transports the pure LN₂ from the Phase Separator to the application.

Typical Applications

- Test Handlers in IC Assembly and Test
- Environmental Chambers
- Bottling Lines and Packaging
- Food Freezing

Features and Benefits

- Consistent liquid nitrogen delivery, dramatically improving process control and efficiency.
- Available with 2 to 12 outlets.
- User friendly operator controls.
- Vacuum jacketed vessel for frost-free operation.
- Adjustable output pressure for all back pressure models.
- Digital display with liquid level and pressure readings.

Phase Separator Specifications

Materials

Stainless Steel Series 300

Controller Dimensions

14" H x 6.5" D x 2.5" W

Maximum Inlet Pressure

150 psig (10 bar)

Maximum Back Pressure

87 psig (6 bar)

Vessel MAWP

175 psig (12 bar)

No. of Outlets

2 to 12

Operational Volume*/Capacity

2 to 4 outlets:
5.8 gallons (22 liters)*/10.5 gallons (40 liters)
6 to 12 outlets:
12 gallons (46 liters)*/21 gallons (80 liters)

Maximum Withdrawal Rate

29 gallons/minute

Weight

Empty Condition
60 - 85 lbs (27.2 - 38.6 kg)
Full Condition
100 - 163 lbs (45.4 - 73.9 kg)

System Utilities

Electricity: 80 - 240 VAC

Minimum GN₂

Pneumatic Valve Pressure

40 psig (2.7 bar)

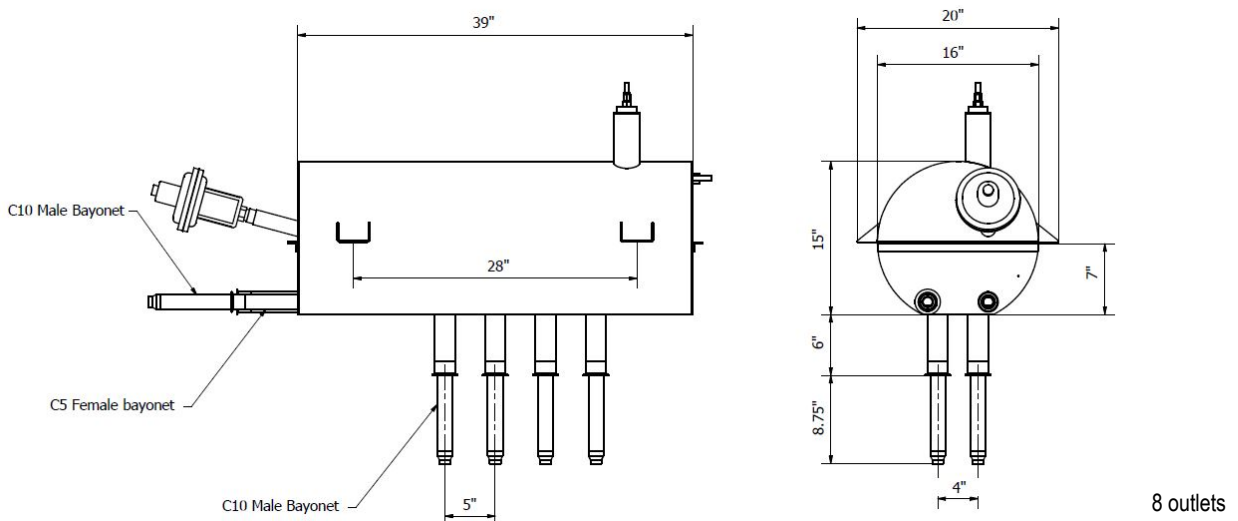
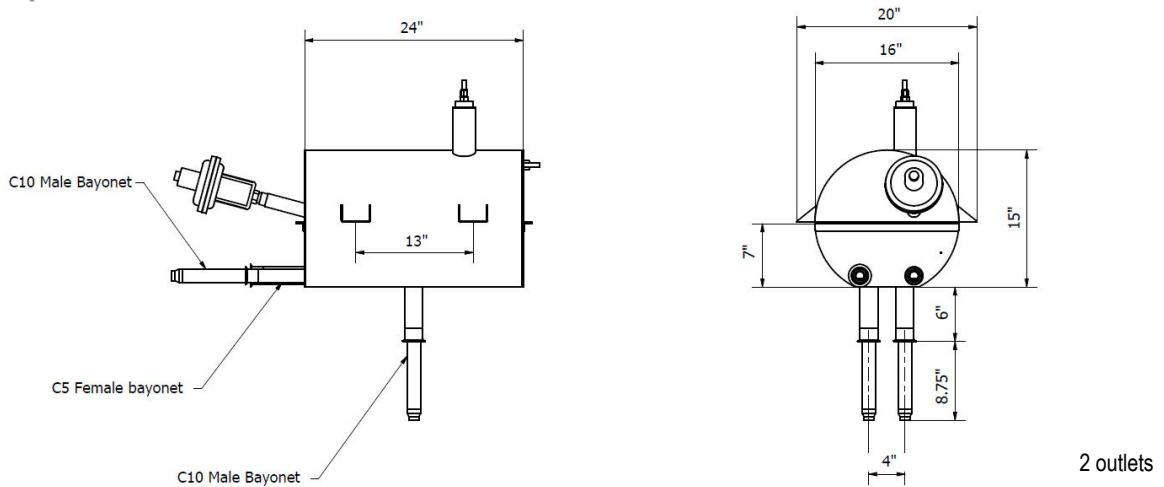
Certifications

NEMA 4X, CE

Options

Custom sizes and ASME
coded pressure vessels

Phase Separator C-22 / C-42 Dimension



CRYOGAS TECH.

No 10, Jalan PPU3A, Puchong 47150 Selangor Malaysia

Phone: (603) 8051-0982 Fax: (603) 8051-0913

e-mail: info@cryogas.com.my