



SPECIALISTS IN CRYOGENIC EQUIPMENT



FlavourDoser®

An all stainless steel doser designed to dose precisely according to line speed with PLC programming

All Dosers come with Cryogas's renowned customer service, from conceptual design to implementation, and are backed by a two year warranty.

FlavoDoser®

This FlavorDoser® family are primarily used to dose precise amount of flavor or any fluid-based ingredient directly into product packaging. This innovative "mixing" method offer beverage bottlers the flexibility to produce a variety of product in small batches compared to traditional large batch pre-mixing process. FlavorDoser® effectively prevents the filler and piping system from unwanted contamination when introducing new flavor or ingredient. Therefore reduce costly and time-consuming post-production CIP cleaning, and effectively prevent product cross-contamination. A PLC (Programmable Logic Controller) integrates the sensors, controls and human interface via a touch screen display. A sensor detects the speed of the line (encoder compatible for higher speeds), and a second sensor detects the container presence. When a container is detected, the dosing head actuated valve opens and dispenses the exact amount of fluid.

Typical Applications

- Flavor dosing for flavored drinks.
- Salt solution dosing for sport drinks.
- Preservative dosing to extend product shelf life.
- Any liquid based ingredient with low viscosity, e.g. probiotics, collagen and protein, can be dosed into product packaging.

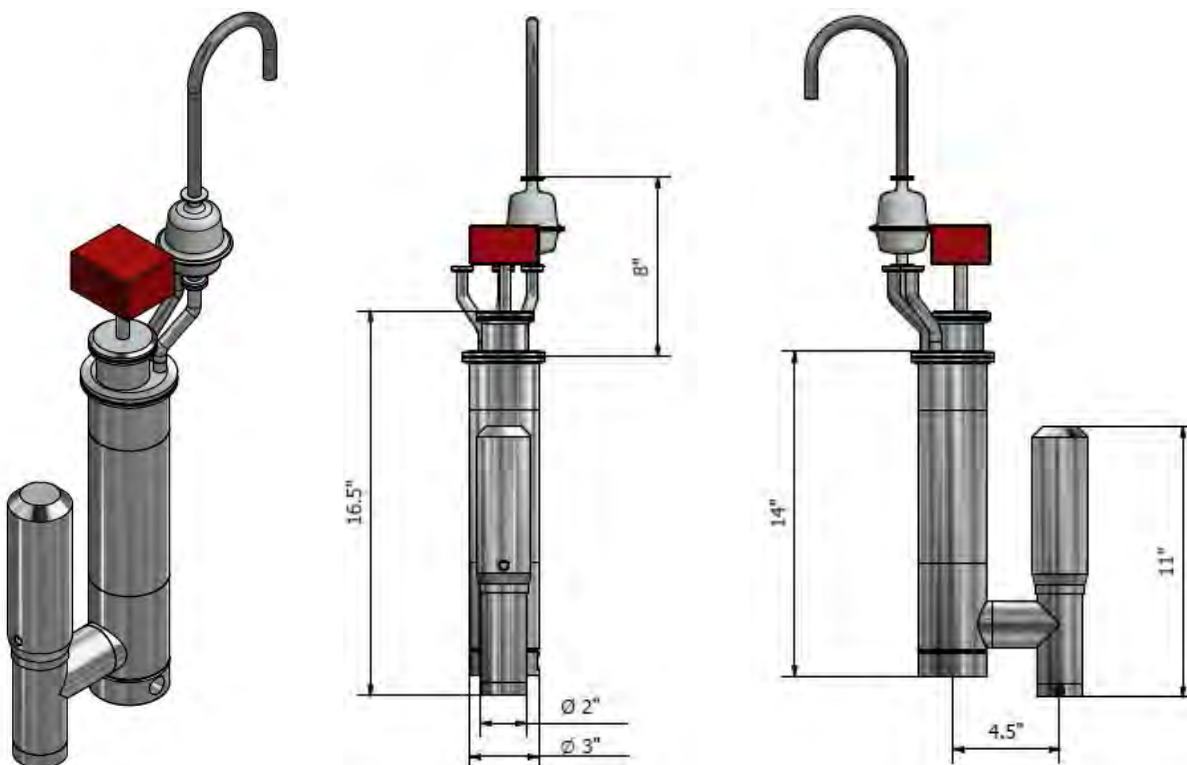
Features and Benefits

- Compact Size - enables installation in limited spaces.
- Precise Dosing - delivers consistent, accurate dosing.
- Discrete Dosing - up to 2000 containers per minute.
- Remote Dosing - monitor and troubleshoot system remotely thereby minimizing system downtime.
- CIP function - recipe based self-cleaning.
- Automatically transfers fluid to dosing head via pump if low fluids level in system are detected.

FlavorDoser® Specifications

Materials	Stainless Steel Series 316L
Nozzles	2-5mm (0.5mm increments available)
Head Pressure	0.2 psi
System Utilities	Electricity: 110-220 VAC; 50/60Hz, 110W

FlavorDoser® Dimensions



CRYOGAS TECH.
No 10, Jalan PPU3A, Puchong 47150 Selangor Malaysia
Phone: (603) 8051-0982 Fax: (603) 8051-0913
e-mail: info@cryogas.com.my